

Lot 3  
**MATTHIE'S**  
**CONSOLIDATION**  
 Rec. May 21, 1975 As Doc. No. 23088173

Lot 3

**MATTHIE'S**

**CONSOLIDATION**

Rec. May 21, 1975 As Doc. No. 23088173

Lot 2  
**HYLAND'S**  
**SUBDIVISION**  
 Rec. May 14, 1959 As Doc. No. 17538931

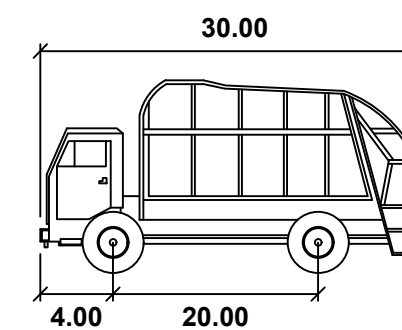
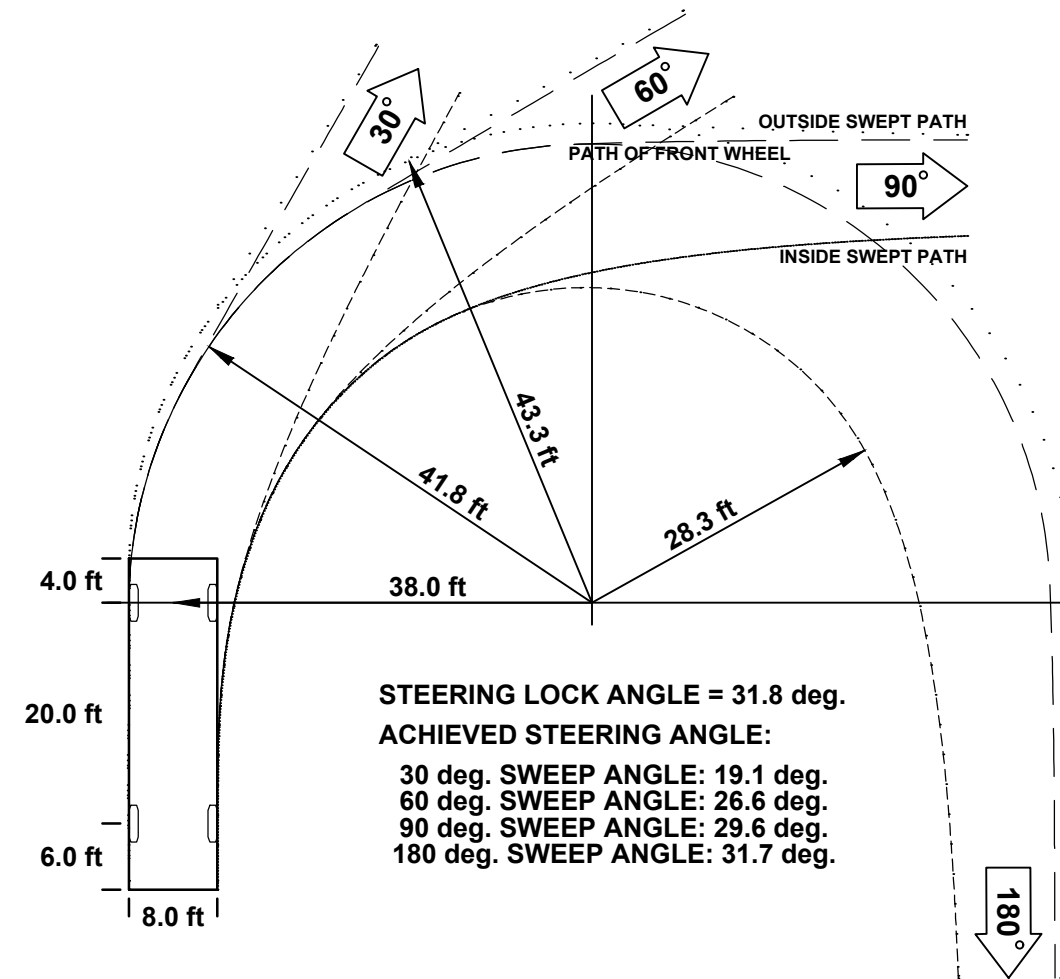
Lot 1  
**HYLAND'S**  
**SUBDIVISION**  
 Rec. May 14, 1959 As Doc. No. 17538931

2 Story  
 Brick & Frame

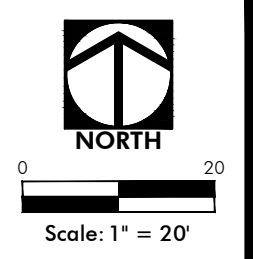
1 Story  
 Brick

South Line of the North 212.00 Feet of Lot 16

West Line of the East 286.68 Feet of Lot 16



Width : 8.00  
 Track : 8.00  
 Lock to Lock Time : 6.0  
 Steering Angle : 31.8



**HAEGER ENGINEERING**  
 consulting engineers • land surveyors  
 100 East State Parkway, Schaumburg, IL 60173 • Tel: 847.394.6600 Fax: 847.394.6608  
 Illinois Professional Design Firm License No. 184-003152  
 www.haegerengineering.com

**GARBAGE TRUCK**  
**TURN-AROUND EXHIBIT**  
**CLELAND PLACE**  
**1925 WILMETTE AVENUE**  
 WILMETTE, ILLINOIS

Project Manager: M L A  
 Engineer: J A C  
 Date: 07/25/2017  
 Project No. 15-213  
 Sheet 1